



Features

- 1W LED Dot Starion 1W
- Aluminium housing with plastic cover
- RGB with 180° beam angles
- DMX512 control system to achieve gradual, transition, blinking and other dynamic effects

Highlights

- High brightness with robust design
- Backlit for billboards, signage and advertisement light boxes
- Fully-customizable solution for creative and demanding media projects
- Flexible mounting capability for challenging surfaces
- Field installation friendly and cost effective

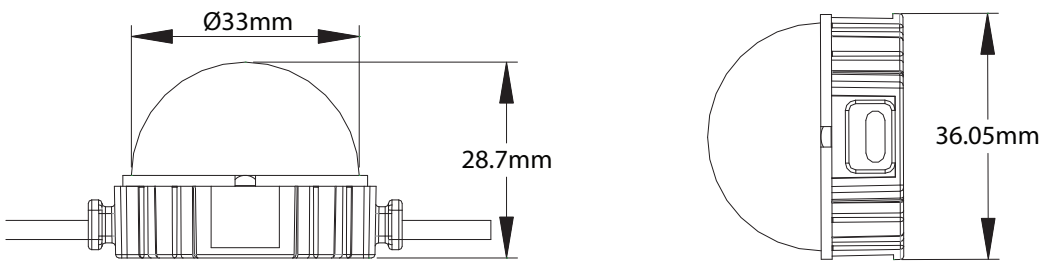
Technical Specifications

Product Name		AC-AX2-DA-FANBS5
Picture/ display	LED type	SMD
	Beam angle	180°
	Color	RGB
Environmental	Operating temperature	-20°C to +50°C
	Operating humidity range	0% - 90% RH
	Ingress protection	IP67
	LED lifetime	50,000 hrs
Power	Mains input	DC15V
	Power consumption maximum	1W
Physical	Housing	Aluminium
	Cover	Plastic
	Dimension	33 (dia.) x 28.7 (H)mm
Control	Control system	DMX512

All specifications are subjected to change without notice.

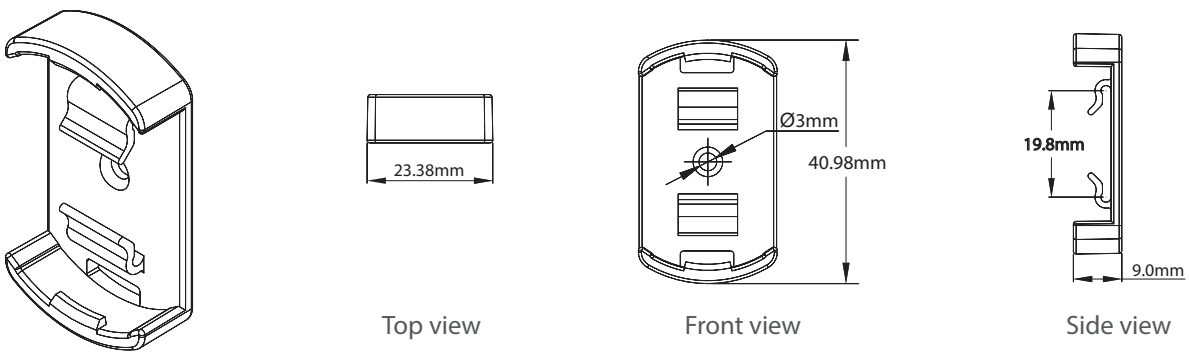
Technical Drawing

Unit : mm



Tolerance for dimensions = $\pm 2.5\text{mm}$

Accessories - Mounting Clip



Tolerance for dimensions = $\pm 2.5\text{mm}$

All specifications are subjected to change without notice.