

## LED DOWNLIGHT CLEVER

LEDIGAMI LED DOWNLIGHT CLEVER has an unique design that able to adapt easily to the furnishing changes in an environment. The multiple functions of the downlight is suitable to be used in any applications without hesitation. The beam angles of 25° & 45° is capable of lighten up the preferred lighting space. LED DOWNLIGHT CLEVER comes in versions of black and white housing to provide a signature look to any applications.

### SPECIFICATIONS

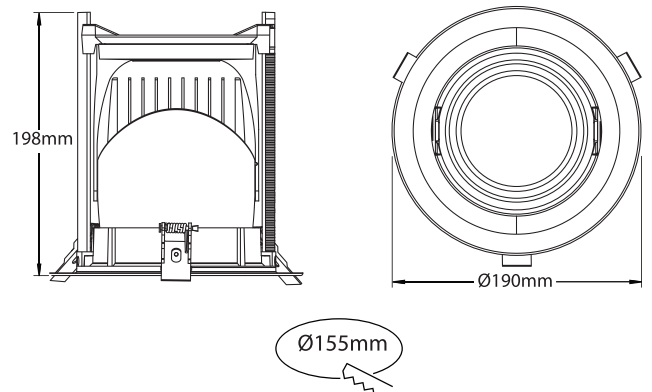
- Power : 45W
- Beam Angles : 25° & 45°
- Field Angles : 60° & 80°
- CCT : 3000K, 4000K, 6000K
- CRI : 80 & 90
- Color Available : Black & White
- IP rating : IP20

### HIGHLIGHTS

- Easy Installation
- Replacing traditional Metal Halide 70W
- 80% energy saving compared to traditional light sources
- Average rated lifespan of 35,000 hours
- Environmental friendly - free of mercury and hazardous
- Instant-On Light

### CERTIFICATIONS

- CE
- RoHS



### Note:

1. The photometric data were measured at initial state (Ta= 25°C)
2. Tolerance for dimensions = ±2.5mm

## LED DOWNLIGHT CLEVER Technical Specifications

### Illuminance and Field Angles (CRI 80):

Module Power	System Power Consumption	CCT	Beam Angles	Field Angles	Light Output	Lux @ 1m (typ.)	Body Color	Article Number
40W	45 W	3000 K	25°	60°	3500 lm	10000	Black	T2-CLE-2T-81AP6T
40W	45 W	4000 K	25°	60°	3500 lm	10000	Black	T2-CLE-2T-81A26T
40W	45 W	6000 K	25°	60°	3500 lm	10000	Black	T2-CLE-2T-81AG6T
40W	45 W	3000 K	45°	80°	3500 lm	4500	Black	T2-CLE-2T-81AZ6T
40W	45 W	4000 K	45°	80°	3500 lm	4500	Black	T2-CLE-2T-81A66T
40W	45 W	6000 K	45°	80°	3500 lm	4500	Black	T2-CLE-2T-81AH6T
40W	45 W	3000 K	25°	60°	3500 lm	10000	White	T2-CLE-2T-81BP6T
40W	45 W	4000 K	25°	60°	3500 lm	10000	White	T2-CLE-2T-81B26T
40W	45 W	6000 K	25°	60°	3500 lm	10000	White	T2-CLE-2T-81BG6T
40W	45 W	3000 K	45°	80°	3500 lm	4500	White	T2-CLE-2T-81BZ6T
40W	45 W	4000 K	45°	80°	3500 lm	4500	White	T2-CLE-2T-81B66T
40W	45 W	6000 K	45°	80°	3500 lm	4500	White	T2-CLE-2T-81BH6T

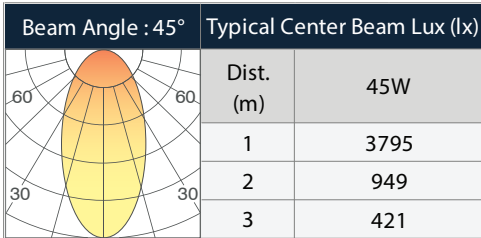
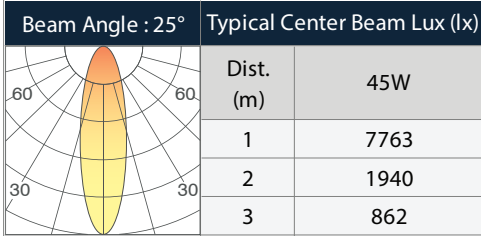
### Illuminance and Field Angles (CRI 90):

Module Power	System Power Consumption	CCT	Beam Angles	Field Angles	Light Output	Lux @ 1m (typ.)	Body Color	Article Number
40W	45 W	3000 K	25°	60°	3000 lm	8570	Black	T2-CLE-2T-81AP7T
40W	45 W	4000 K	25°	60°	3000 lm	8570	Black	T2-CLE-2T-81A27T
40W	45 W	6000 K	25°	60°	3000 lm	8570	Black	T2-CLE-2T-81AG7T
40W	45 W	3000 K	45°	80°	3000 lm	3860	Black	T2-CLE-2T-81AZ7T
40W	45 W	4000 K	45°	80°	3000 lm	3860	Black	T2-CLE-2T-81A67T
40W	45 W	6000 K	45°	80°	3000 lm	3860	Black	T2-CLE-2T-81AH7T
40W	45 W	3000 K	25°	60°	3000 lm	8570	White	T2-CLE-2T-81BP7T
40W	45 W	4000 K	25°	60°	3000 lm	8570	White	T2-CLE-2T-81B27T
40W	45 W	6000 K	25°	60°	3000 lm	8570	White	T2-CLE-2T-81BG7T
40W	45 W	3000 K	45°	80°	3000 lm	3860	White	T2-CLE-2T-81BZ7T
40W	45 W	4000 K	45°	80°	3000 lm	3860	White	T2-CLE-2T-81B67T
40W	45 W	6000 K	45°	80°	3000 lm	3860	White	T2-CLE-2T-81BH7T

#### Note:

1. LED is a dynamic and constantly evolving technology. The final lux output of 45W LED Downlight Clever may vary
2. 45W LED Downlight Clever needs to connect with an external driver
3. The total system power consumption is 45W with 10% tolerance under 100-240V input voltage
4. Operating temperature = Ta-20 → 40°C

## LED DOWNLIGHT CLEVER Radiation Pattern & Lux Diagram



- Note:
1. LED is a dynamic and constantly evolving technology. The final lux output of 45W LED Downlight Clever may vary
  2. 45W LED Downlight Clever needs to connect with an external driver
  3. The total system power consumption is 45W with 10% tolerance under 100-240V input voltage
  4. Operating temperature = Ta-20 → 40°C