

## LED DOWNLIGHT LOGIC WP

LED DOWNLIGHT LOGIC WP delivers high performance, critical energy savings and a better quality of light with IP65 module. Providing control over the perfect ambience, LED DOWNLIGHT LOGIC WP has a broad portfolio with CCT from 3000K, 4000K, and 6500K with the minimum of 80 CRI.

LED DOWNLIGHT LOGIC WP comes in 2 outer dimensions to suit customers with different needs. With the designated shallow mounting depth and the compatibility with standard suspended ceilings, it shortens the installation process. It is suitable for both commercial and residential indoor and outdoor applications, and it will give you the optimal lighting effect.



### SPECIFICATIONS

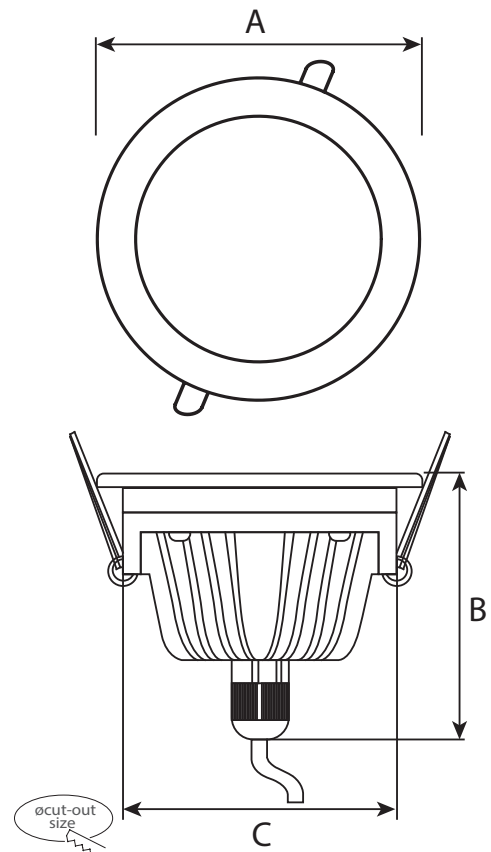
- Module Power : 7W & 13W
- Outer Dimensions : 90mm and 108mm
- CCT : 3000K, 4000K, 6500K
- CRI : 80
- Optic : Frost
- Round version
- IP Rating : IP65
- Will not fade colours, avoids inventory spoilage

### HIGHLIGHTS

- Dimmable versions available
- Average rated lifespan of 50,000 hours
- Up to 80% reduction in power consumption
- Instant-on light
- Easy installation

### CERTIFICATIONS

- CE
- RoHS



Tolerance:  $\pm 2.5\text{mm}$

## LED DOWNLIGHT LOGIC WP Technical Specifications

Module Power	CCT	Beam Angle	Light Output	Optics	CRI	Dimming Feature	Cut-out Size (A)	Outer Dimension (B x C)	Version	Body color	Article Number
7W	3000 K	90°	630 lm	Frost	80	No	Ø75-80mm	Ø90 x 67mm	Round	White	L8-DL8-IT-61A36C
7W	4000 K	90°	700 lm	Frost	80	No	Ø75-80mm	Ø90 x 67mm	Round	White	L8-DL8-IT-61A56C
7W	6500 K	90°	700 lm	Frost	80	No	Ø75-80mm	Ø90 x 67mm	Round	White	L8-DL8-IT-61AA6C
7W	3000 K	120°	630 lm	Frost	80	No	Ø75-80mm	Ø90 x 67mm	Round	White	L8-DL8-IT-61B36C
7W	4000 K	120°	700 lm	Frost	80	No	Ø75-80mm	Ø90 x 67mm	Round	White	L8-DL8-IT-61B56C
7W	6500 K	120°	700 lm	Frost	80	No	Ø75-80mm	Ø90 x 67mm	Round	White	L8-DL8-IT-61BA6C
13W	3000 K	90°	1170 lm	Frost	80	No	Ø95-100mm	Ø108 x 72mm	Round	White	L8-DL8-UT-61A36C
13W	4000 K	90°	1300 lm	Frost	80	No	Ø95-100mm	Ø108 x 72mm	Round	White	L8-DL8-UT-61A56C
13W	6500 K	90°	1300 lm	Frost	80	No	Ø95-100mm	Ø108 x 72mm	Round	White	L8-DL8-UT-61AA6C
13W	3000 K	120°	1170 lm	Frost	80	No	Ø95-100mm	Ø108 x 72mm	Round	White	L8-DL8-UT-61B36C
13W	4000 K	120°	1300 lm	Frost	80	No	Ø95-100mm	Ø108 x 72mm	Round	White	L8-DL8-UT-61B56C
13W	6500 K	120°	1300 lm	Frost	80	No	Ø95-100mm	Ø108 x 72mm	Round	White	L8-DL8-UT-61BA6C
7W	3000 K	90°	630 lm	Frost	80	No	Ø75-80mm	Ø90 x 67mm	Round	Black	L8-DL8-IU-61A36C
7W	4000 K	90°	700 lm	Frost	80	No	Ø75-80mm	Ø90 x 67mm	Round	Black	L8-DL8-IU-61A56C
7W	6500 K	90°	700 lm	Frost	80	No	Ø75-80mm	Ø90 x 67mm	Round	Black	L8-DL8-IU-61AA6C
7W	3000 K	120°	630 lm	Frost	80	No	Ø75-80mm	Ø90 x 67mm	Round	Black	L8-DL8-IU-61B36C
7W	4000 K	120°	700 lm	Frost	80	No	Ø75-80mm	Ø90 x 67mm	Round	Black	L8-DL8-IU-61B56C
7W	6500 K	120°	700 lm	Frost	80	No	Ø75-80mm	Ø90 x 67mm	Round	Black	L8-DL8-IU-61BA6C
13W	3000 K	90°	1170 lm	Frost	80	No	Ø95-100mm	Ø108 x 72mm	Round	Black	L8-DL8-UU-61A36C
13W	4000 K	90°	1300 lm	Frost	80	No	Ø95-100mm	Ø108 x 72mm	Round	Black	L8-DL8-UU-61A56C
13W	6500 K	90°	1300 lm	Frost	80	No	Ø95-100mm	Ø108 x 72mm	Round	Black	L8-DL8-UU-61AA6C
13W	3000 K	120°	1170 lm	Frost	80	No	Ø95-100mm	Ø108 x 72mm	Round	Black	L8-DL8-UU-61B36C
13W	4000 K	120°	1300 lm	Frost	80	No	Ø95-100mm	Ø108 x 72mm	Round	Black	L8-DL8-UU-61B56C
13W	6500 K	120°	1300 lm	Frost	80	No	Ø95-100mm	Ø108 x 72mm	Round	Black	L8-DL8-UU-61BA6C

**Note :**

All measurement datas are subjected to 10% tolerance due to measurement equipment tolerance and accuracy

Lumen maintenance factor : L70

All product specifications are subject to change without prior notice