

Introduction

LEDIGAMI LED Video Screen Mesh LED is an excellent product to be used for outdoor applications. Mesh LED can usually be seen as a lighting for buildings, facades, and various arrangement as LED display and decorative lighting. Mesh LED is high brightness, low power consumption, strong weather resistance and flexible for all kinds of installation. Mesh LED can be seen in parties, stage shows and as festives decorations.

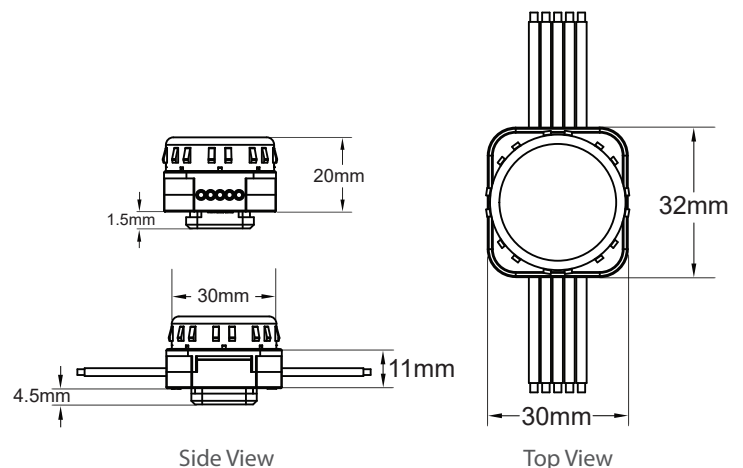


Features

- ◆ Power : 2W
- ◆ CCT : RGB
- ◆ Beam angle : 120°
- ◆ IP rating : IP66
- ◆ Pixel pitch : 55mm, 80mm, 100mm, 110mm & 160mm
- ◆ Control System : DVI
- ◆ Version : Round
- ◆ High brightness
- ◆ Cost effective

Certificates

- ◆ CE
- ◆ RoHS



Tolerance for dimension = $\pm 2\text{mm}$

Product Specifications

Product Name		AB-Ax6-VT-AyNAF5	
Picture/ display	Brightness	20cd/ pixel	
	LED type	SMD	
	Beam angle	120°	
	Gray scale	12 bits	
	Refresh rate	≥1000Hz	
	Color	RGB	
Environmental	Operating temperature	-40°C to +45°C	
	Operating humidity range	0% - 90% RH	
	Ingress protection	LED Pixels Control Box	IP66 IP54
	LED lifetime	50,000 hrs	
Power	Mains input	12VDC	
	Power consumption maximum	2W	
Physical	Cover	Plastic	
	Dot Size	32 x 30 x 25mm	
	Dot Weight	<30gm/ pixel	
	Pixel Pitch	55mm/ 80mm/ 100mm/ 110mm/ 160mm	
Control	Control system	DVI	

* Options :

x = Pixel Pitch

2= 55mm, 3= 80mm, 4= 100mm, 5= 110mm, 6= 160mm

** All specifications are subjected to change without notice.